



Quench

980-50/ 985-50



Commercial Capacity Water and Ice Dispenser

- Room temperature water
- Produces up to 425 lbs of chewable compressed nugget ice in 24 hours
- Stores up to 50 lbs of ice
- State-of-the-art filtration technology
- Sanitary touchless dispensing
- Antimicrobial surface protection

water up





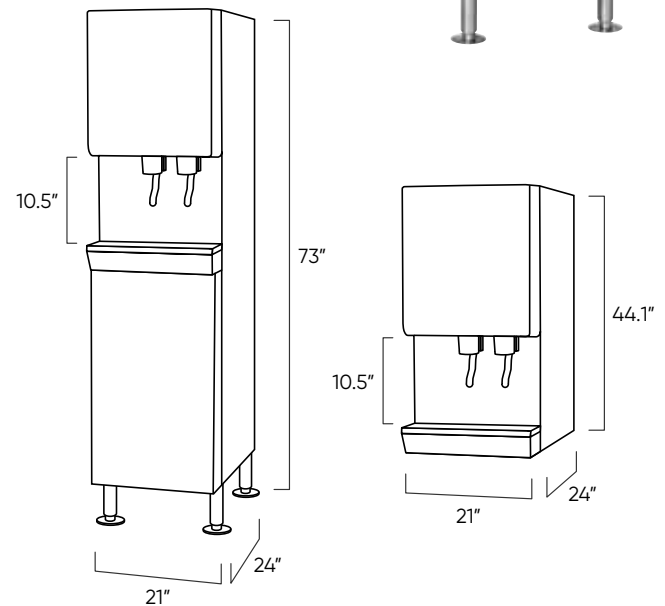
Quench 980-50/985-50

Level up your ice storage with the Quench 980-50! The Quench 980-50 is a commercial capacity ice and water dispenser that produces up to 425 pounds of chewable nugget ice in one day while storing up to 50 pounds. The Quench 980-50 also features a large dispensing area with touchless dispensing. The Quench 985-50 is the same machine as a space-saving countertop model.



High-Capacity Water and Ice Dispenser

- Chewable Chewblet® ice maker and room temperature water dispenser
- Total ice-making capability – up to 425 pounds per day
- Stores up to 50 lbs of ice
- Advanced carbon or reverse osmosis filtration
- Antimicrobial surface protection
- Large dispensing area with lever dispensing
- Available with SensorSAFE infrared touchless dispensing technology



Specifications

Quench 980-50 (Freestanding)

| | |
|----------------------------|---|
| Dimensions | 73" h x 21" w x 24" d |
| Dispensing Area | 10.5" |
| Weight | 298 lbs |
| Ice Output | Up to 425 lbs/24 hr |
| Ice Storage Capacity | 50 lbs |
| Recommended Water Pressure | 10-70 psi |
| Rated Voltage/Frequency | 115v/60Hz @ 13 amps |
| Power Consumption | 5.7 kW/100 lbs of ice |
| Drain Requirement | Needs to be installed within 10 feet of a drain |
| Clearance Needed | 3" top, 3" right side |
| Model Number | 980-50 |

Quench 985-50 (Countertop)

| | |
|----------------------------|---|
| Dimensions | 44.1" h x 21" w x 24" d Height includes optional 4.1" legs |
| Dispensing Area | 10.5" |
| Weight | 188 lbs |
| Ice Output | Up to 425 lbs/24 hr |
| Ice Storage Capacity | 50 lbs |
| Recommended Water Pressure | 10-70 psi |
| Rated Voltage/Frequency | 115v/60Hz @ 13 amps |
| Power Consumption | 5.7 kW/100 lbs of ice |
| Drain Requirement | Needs to be installed within 10 feet of a drain |
| Clearance Needed | 3" top, 3" right side |
| Model Number | 985-50 |

Quench products are certified by independent authorized 3rd party laboratories in accordance of appropriate industry standards. To find out more about which certifications your product may have, please contact us.